

User Maintenance Manual

GEMINI ADVANCED 4857
550, 700, 550 LRI & 700 LRI

Guarantee

©Isothermal Technology Limited

This instrument has been manufactured to exacting standards and is guaranteed for twelve months against electrical break-down or mechanical failure caused through defective material or workmanship, provided the failure is not the result of misuse.

In the event of failure covered by this guarantee, the instrument must be returned, carriage paid, to the supplier for examination and will be replaced or repaired at our option.

FRAGILE CERAMIC AND/OR GLASS PARTS ARE NOT COVERED BY THIS GUARANTEE
INTERFERENCE WITH OR FAILURE TO PROPERLY MAINTAIN THIS INSTRUMENT MAY
INVALIDATE THIS GUARANTEE

The company is always willing to give technical advice and assistance where appropriate. Equally, because of the programme of continual development and improvement we reserve the right to amend or alter characteristics and design without prior notice. This publication is for information only.

This handbook contains information that has been reproduced with the kind permission of Eurotherm. Such data is subject to the following notice.

©2014 Eurotherm Limited

Eurotherm, the Eurotherm logo, Chessell, nanodac, and Itools, are trademarks of Invensys plc, its subsidiaries and affiliates.





All rights are strictly reserved. No part of this document may be reproduced, modified or transmitted in any form by any means, neither may it be stored in a retrieval system other than for the purpose to act as an aid in operating the equipment to which the document relates, without the prior written permission of Invensys Eurotherm Limited.

Eurotherm Limited pursues a policy of continuous development and product improvement. The specifications in this document may therefore be changed without notice. The information in this document is given in good faith, but is intended for guidance only.



Isothermal Technology Limited
Pine Grove, Southport, Merseyside, PR9 9AG, England
Telephone: +44 (0)1704 543830 / Fax: +44 (0)1704 544799
Email: info@isotech.co.uk / Website: www.isotech.co.uk

Contents

- 1 UNPACKING AND INITIAL INSPECTION** 5
- 2 BEFORE YOU USE THE EQUIPMENT** 6
- 3 SUMMARY OF SYMBOLS** 7
- 4 ELECTRICITY SUPPLY** 8
- 5  THE UNIT MUST BE EARTHED** 9
- 6  EMC INFORMATION** 10
- 7  CAUTIONARY NOTE** 11
- 8  SAFETY WARNINGS** 12
 - 8.1 ENVIRONMENTAL CONDITIONS 12
 - 8.2 DO NOT MODIFY OR DISASSEMBLE 12
 - 8.3 BEWARE OF ELECTRICAL CONSIDERATIONS 12
 - 8.4 BE CAREFUL WHERE IT IS USED 12
 - 8.5 BE CAREFUL WITH EXTREMES OF TEMPERATURE 12
 - 8.6 BE CAREFUL WITH INSERTS 12
 - 8.7 BE CAREFUL WITH INSULATION 13
- 9 CONSIDER THE ENVIRONMENT** 14
- 10 INTRODUCTION** 15
 - 10.1 GEMINI 550 AND 700 15
 - 10.2 GEMINI 550 LRI AND 700 LRI 15
 - 10.3 USING THE GEMINI MODELS 15
 - 10.3.1 Discussion of Results 16
 - 10.3.2 Insulation 16
 - 10.4 COMPARISON CALIBRATION 16
 - 10.5 BASIC OPERATION 17
 - 10.6 SITE OR SELF-CONTAINED CALIBRATORS 17
 - 10.7 EXTERNAL STANDARDS + BASIC 18
 - 10.8 ADVANCED CALIBRATORS 18
- 11 OPERATION OF THE ADVANCED DRY BLOCK TEMPERATURE CALIBRATOR** 19
 - 11.1 A TOUR OF THE EQUIPMENT 19
 - 11.2 THE USER INTERFACE START UP SCREEN AND CONTROLS 20
 - 11.3 THE ISOTECH HOMEPAGE 20
 - 11.4 THE THERMOSTAT TESTING PAGE 20
 - 11.5 THE PROGRAM PAGE (NO ACTIVE PROGRAM) 21
 - 11.6 THE PROGRAM PAGE (ACTIVE PROGRAM RUNNING) 21
 - 11.7 THE USER ACCESS PAGE 21
- 12 GETTING STARTED** 22
 - 12.1 CHANGING THE SET POINT 22
- 13 USING THE ADVANCED FEATURES OF THIS EQUIPMENT** 23
 - 13.1 TO SET FROM THE FRONT PANEL 23
 - 13.2 HOW TO LOG IN AS THE SUPERVISOR 24
 - 13.3 HOW TO LOG IN AS THE ENGINEER 24



13.4 HOW TO CHANGE INPUT SENSOR ON CHANNELS 1, 2 AND 3	25
13.5 HOW TO GLOBALLY CHANGE FROM °C TO °F OR KELVIN (<i>FIRMWARE VERSION A5.40 BEFORE NOVEMBER 2016</i>)	26
13.6 HOW TO GLOBALLY CHANGE FROM °C TO °F OR KELVIN (<i>FIRMWARE VERSION A5.43 AFTER NOVEMBER 2016</i>)	26
13.7 THERMOSTAT TESTING USING THE ADVANCED UNIT	26
13.8 ENABLING THE AUTOTUNE FEATURE	27
13.9 USING THE SETPOINT TRIM FEATURE FOR OFFSET ELIMINATION	27
13.10 HOW TO CHANGE THE DATE AND TIME OR THE LANGUAGE OF THE ADVANCED EQUIPMENT	28
13.11 THERMOMETER INPUT CHANNELS	28
13.12 PROCESS TO APPLY A USER CALIBRATION TO THE CONTROLLER USING A PRT CONNECTED TO CHANNEL 1	29
13.13 THE NETWORK INTERFACE	30
13.14 TO ACCESS THE NETWORK INTERFACE	30
13.15 THE WEB BROWSER	30
13.15.1 <i>Supported Browsers:</i>	31
13.15.2 <i>The clickable links will allow you to:</i>	31
13.16 DATA LOGGING	31
13.17 FTP SERVER ARCHIVING	32
13.18 PROGRAMMER FUNCTION	32
13.19 PROGRAM DETAILS	33
13.19.1 <i>Operation</i>	33
13.19.2 <i>Status</i>	33
13.19.3 <i>Program</i>	33
13.19.4 <i>Holdback Style</i>	33
13.19.5 <i>Program</i>	33
13.19.6 <i>Ch1 Holdback</i>	34
13.19.7 <i>Ch1 Holdback value</i>	34
13.19.8 <i>Ch2 Holdback</i>	34
13.19.9 <i>Ch2 Holdback value</i>	34
13.19.10 <i>Ramp Style</i>	34
13.19.11 <i>Time</i>	34
13.19.12 <i>Ch1 Ramp Units</i>	34
13.19.13 <i>Ch2 Ramp Units</i>	34
13.20 HOW TO CREATE A SIMPLE PROGRAM USING THE CONTROLLER INTERFACE	35
13.21 TO ENABLE/RUN THIS PROGRAM	36
13.22 TO EDIT AN EXISTING PROGRAM	36
13.23 USING THE HOLDBACK FEATURE	36
14 CONNECTING TEMPERATURE SENSORS	38
14.1 PLATINUM RESISTANCE THERMOMETERS, PRTS	38
14.2 INPUT CONNECTIONS	38
14.3 CONNECTING THERMOCOUPLES	38
14.4 CONNECTING 4 – 20MA CURRENT TRANSMITTERS	39
14.4.1 <i>Using the Current Loop Interface (935-06-161)</i>	39
14.4.2 <i>Altering Channel 1 setting to read in mA</i>	39
14.4.3 <i>Altering Channel 1 setting to read in °C</i>	40
15 SPECIFICATION	41
16 CONNECTING TO A PC	42
16.1 ISOTECH CONFIG UTILITY	42
16.2 ISOTECH I-CAL EASY	43
16.3 PROGRAM EDITOR	43
16.4 REVIEW	44
17 ACCESSORIES	45

1 Unpacking And Initial Inspection

Our Packing Department uses custom designed packaging to send out your unit, but as accidents can still happen in transit, you are advised, after unpacking the unit, to inspect it for any sign of shipping damage and confirm that your delivery is in accordance with the packing check list. If you find any damage or that part of the delivery is missing notify us or our agent and the carrier immediately. If the unit is damaged you should keep the packing for possible insurance assessment.






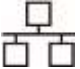



2 Before You Use The Equipment

Please read the handbook and familiarise yourself with all warnings, hazards and safety information. Regularly inspect the equipment, accessories and electrical leads. Do not use if there is any sign of damage. Keep the equipment clean, only use a damp cloth. Do not use solvents or allows liquids to enter the case.



3 Summary of Symbols

	ISO3864 – Caution, read the entire manual before use
	IEC 417 – Caution, hot surface (risk of burn)
O	Off
I	On
	Waste Electrical and Electronic Equipment (WEEE directive) symbol
	Complies with European regulations (CE mark)
	USB symbol
	Ethernet RJ45 symbol
	Risk of Electrical Shock



4 Electricity Supply

Before connecting to the electricity supply please familiarise yourself with the parts of the manual relevant to your model.

Your unit's supply voltage requirement is specified on a label on the instrument along with the serial number. Only connect to a power supply matching the requirement stated on the equipment.



5 The Unit Must Be Earthed

This equipment is a Class 1 Appliance and must be earthed (grounded). Use the supplied power cord and plug it directly into an AC outlet with a protective earth.

If using an alternative cord ensure it is of adequate rating.

If fitting a plug to the cable we have supplied the cable is colour coded as follows:

Colour	Function
Green/yellow	Earth (Ground)
Brown	Live (line)
Blue	Neutral

Do not use the equipment if it is not correctly earthed. If in doubt consult Isothermal Technology Ltd or a qualified electrician.



6 EMC Information

This product meets the requirements of the European Directive on Electromagnetic Compatibility (EMC) 89/336/EEC as amended by EC Directive 92/31/EEC and the European Low Voltage Directive 73/25/EEC, amended by 93/68/EEC. To ensure emission compliance please ensure that connecting leads are fully screened.

The product meets the susceptibility requirements of EN 50082-1, criterion B.



7 Cautionary Note

Operators of this equipment should be adequately trained in the handling of hot and cold items. It is important the user has been trained about the selection and use of liquids over a wide temperature range. It is expected that personnel using this equipment will be competent with the management of apparatus which may be powered or under extremes of temperature and are able to appreciate the hazards which may be associated with and the precautions to be taken with, such equipment.



8 Safety Warnings

8.1 Environmental Conditions

- Operating temperature: 5-40°C (41-122°F)
- Relative Humidity: 5-80% - Non-condensing

8.2 Do Not Modify Or Disassemble

- Do not use the apparatus for jobs other than those for which it was designed, i.e. the calibration of thermometers
- There are no user serviceable parts inside. Do not dismantle or modify the apparatus. For repair information contact Isothermal Technology Ltd
- For equipment with fans, the fan should be kept free from dust build up; a soft brush or vacuum cleaner may be used on the external grill

8.3 Beware Of Electrical Considerations

- The equipment is for installation category II (transient voltages) and pollution degree II in accordance with IEC 664 at altitudes to 2000 metres
- Sensor Input Connection must never exceed 30V with reference to ground
- Thermostat test inputs should be voltage free: isolate from any voltage source during test

8.4 Be Careful Where It Is Used

- The equipment is not for use in hazardous areas or in an environment close to flammable materials or gases
- The equipment must be used on a flat level surface, with adequate space around it for air flow and avoid blocking ventilation slots
- Ensure free space above the unit to avoid risk of burn or fire
- The equipment should only be used indoors
- Site in a way that allows access to the power switch, and to allow the cable to be disconnected
- Avoid excessive heat, humidity, dust and vibration ensuring it will not be subjected to dripping or splashing liquids

8.5 Be Careful With Extremes Of Temperature

- In normal use the calibration volume, inserts and probes will become very hot and present a burn hazard
- Do not remove inserts, probes or handle the equipment when it is hot or cold.
- Allow the equipment and accessories to reach a temperature between ambient and 70°C before switching off or storing the equipment in its case
- Do not use the equipment outside its recommended temperature range
- Operating the equipment at extremes of temperature for extended periods may call for early replacement of the heating assembly
- Wear appropriate protective clothing

8.6 Be Careful With Inserts

- Only use inserts supplied with, or ordered specifically for, this model
- Inserts or Sleeves from the Gemini 550/Gemini 550 LRI must not be used in the Gemini 700/Gemini 700 LRI – they might melt creating a serious hazard and destroying the equipment
- Do not handle inserts while they are very hot or cold
- Inserts for low temperature models may melt and cause a fire if used in high temperature models

- Only use Isotech inserts which are specially treated to avoid them from becoming stuck in the calibration volume
- Do not use powders, liquids or compounds in the insert; this may lead to the insert or probes becoming stuck

8.7 Be Careful With Insulation

- To improve results, the top of the Gemini block may be insulated with ceramic fibre insulation. Only use insulation suitable rated for use to 750°C or higher such as that supplied. Observe the precautions on the supplied MSDS sheet; this sheet should be retained for future reference.



9 Consider The Environment



The equipment should be recycled or disposed of in a proper way; following the Waste Electrical and Electronic Equipment (WEEE) directive



10 Introduction

The Gemini 4857 series consists of four models, the Gemini 4857 and Gemini 4857 LRI; both models are available in ADVANCED, Basic (B) or Site (S) variants.

10.1 Gemini 550 and 700

This model provides a fixed block; an isothermal enclosure (metal block) in which thermometers and thermostats can be checked against the temperature indicated on the temperature controller. The block has four 8mm pockets and four 19.5mm pockets. Sleeves are available to reduce the effective diameter of the 19.5mm pockets.

10.2 Gemini 550 LRI and 700 LRI

The LRI Models have a single large removable insert which is 64mm diameter and 160mm long. The standard insert has 8 x 8mm pockets 154mm deep.

The purpose of the Gemini models is to provide an adjustable isothermal enclosure for calibration purposes.

The isothermal enclosure consists of a heated block. Items for calibration are placed into suitable pockets.

The heater block houses a heater and the control sensor used by the temperature controller to sense the block temperature. To obtain and maintain a required temperature the controller varies the power to the heaters via a solid state relay.

An electrically driven fan cools the electronics in the instrument.

10.3 Using the Gemini Models

The thermometers under test are placed into suitable pockets. For the ADVANCED and S models a calibrated reference probe should be placed into the insert and the actual temperature can be read from the temperature indicator. For the Basic models an external temperature indicator should be used.

For traceable calibration the actual values of the insert temperature should be recorded with the values from the sensor under test.

Wait until the temperature indicated by the controller and the output of the thermometer are both stable (see specification for typical values) record three sets of readings over a period of about six minutes. Check that these readings are consistent and then calculate their average values. If the device has itself been calibrated, correct the average values accordingly.

For best results in the Gemini use like pockets, i.e. use the four 8mm holes or the four 19.5mm holes with sleeves as necessary. Larger uncertainties will result when comparing say an 8mm hole with an insert.

See Table 1 for typical results.

Table 1:

Nominal Temp °C	Block Insulated Inserts Not Present SPRT In 8mm Pocket	Block Insulated Inserts Present SPRT In 8mm Pocket	Block Not Insulated Inserts Present SPRT In 8mm Pocket	Block Insulated SPRT In Insert	Block Not Insulated SPRT In Insert
115	115.9	115.17	115.21	114.42	114.12
121	121.26	121.26	121.25	120.49	120.17
134	134.08	134.06	134.07	133.22	132.88
180	180.19	180.18	180.19	179.15	178.66
390	390.34	390.34	390.36	388.58	387.46

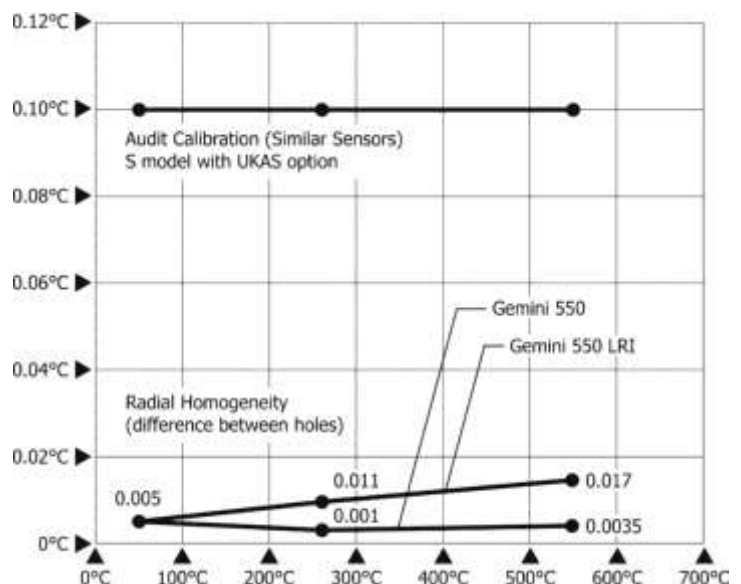
A full evaluation of the Gemini 550/Gemini 700 is available visit the Isotech website, www.isotech.co.uk or contact the factory for availability

10.3.1 Discussion of Results

The results show measurements made in the block occur independently of the presences of the inserts or the top insulation.

However, measurements made in the inserts show lower readings due to the effects of heat extraction caused by stem conduction. Adding insulation reduces these effects.

Where stem conduction errors are considered large a bath with an extended depth of immersion is required such as the 875 Fluidised Furnace or one of the Isotech range of stirred liquid baths.



10.3.2 Insulation

The top of the block may be insulated to improve results as shown in the table above. Ceramic fibre insulation material can be used and is supplied with the Gemini Units.

Refer to the Material Safety Datasheet supplied with the equipment for handling requirements.

10.4 Comparison Calibration

By definition, one compares industrial thermometers to a calibrated standard. There are three methods commonly used.

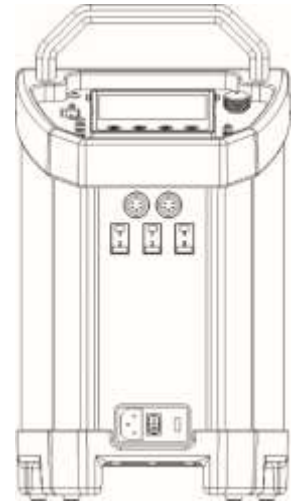
10.5 Basic Operation

Using the controller as the “calibrated standard”. This method means that the complete bath is calibrated by comparing the controller reading to a calibrated standard placed in the bath.

This is a common method but is unsafe since the control sensor is

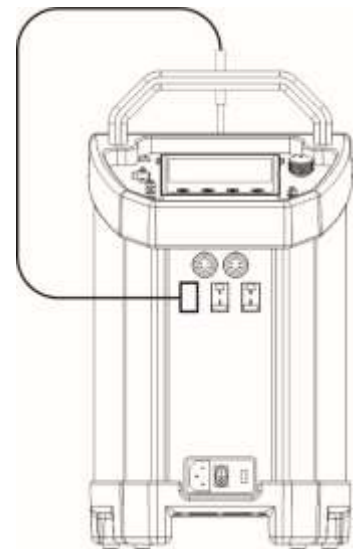
- a) inaccessible
- b) in the wrong place to give correct temperature of the insert

For these reasons it fails to satisfy ISO9000 and gives large uncertainties.



10.6 Site or Self-Contained Calibrators

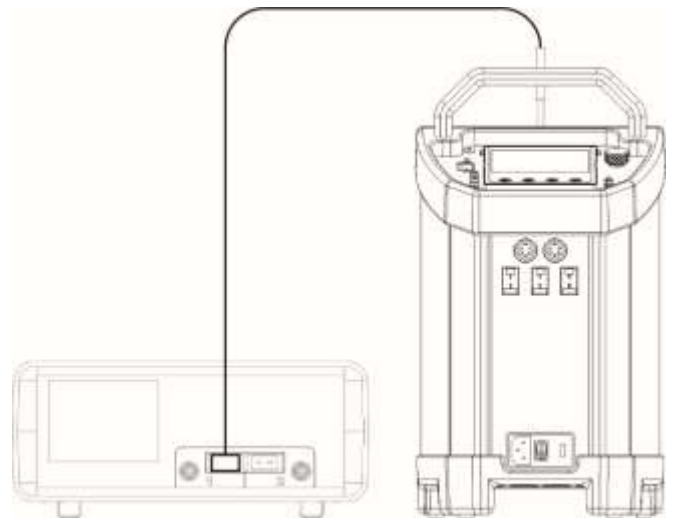
In these an indicator and external calibrated sensor are used to measure the temperature of the insert. This arrangement gives good results and traceability. To recalibrate however it does mean sending the whole calibrator back to the calibration laboratory. The calibrator is self-contained, self-sufficient and meets ISO9000 requirements.



10.7 External Standards + Basic

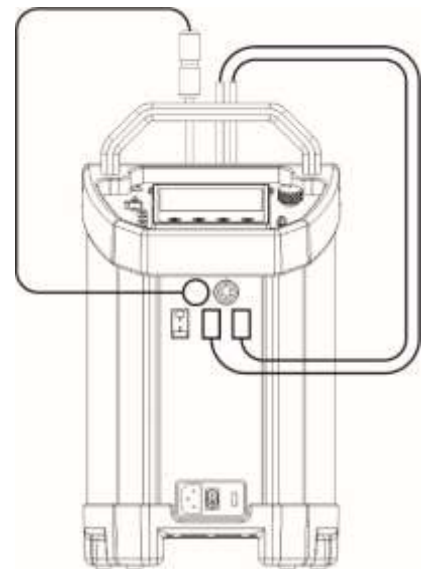
Here a separate indicator and calibrated sensor are used to measure the inserts temperature. With a suitable indicator such as the Isotech milliK this gives the most accurate and reliable results, depending on the indicator.

It means that the calibrator does not need calibrating; only the indicator and its calibrated sensor need re-calibration. One indicator may be used with a range of blocks. This method also meets ISO9000 requirements.



10.8 ADVANCED Calibrators

The ADVANCED model includes an indicator with channels for both the test thermometers and an external calibrated sensor used to measure the temperature of the insert. This allows best practice calibration with established traceability and uncertainty. To recalibrate however it does mean sending the whole calibrator back to the calibration laboratory. The calibrator is self-contained for reference and test probes, self-sufficient and meets ISO9000 requirements.



11 Operation Of The ADVANCED Dry Block Temperature Calibrator

11.1 A Tour Of The Equipment

Figure 1: Main Input and Output for the ADVANCED equipment

1. Main supply voltage connection socket

This socket allow the Mains Voltage to be applied to power up the equipment. Use only the supplied lead or a suitably specified IEC alternative. Confirm the supply voltage using the ratings label on the rear of the equipment.

2. Power On/Off switch

Once the Power lead is connected, this switch will power up and down the equipment

3. Fuse carrier and window showing fuse rating

With the mains cable disconnected, the fuse carrier can be removed for the inspection or replacement of the fuse. The fuse rating is displayed through the window.

4. Channels 1 and 2 PRT input sockets

These allow for the connection of external Platinum resistance thermometers. Warning – Do not connect any other form of input to these sockets.

5. Channels 1,2 and 3 Thermocouple input sockets

These allow for the connection of a range of Thermocouples to be connected. Warning – Do not connect any other form of input to these sockets.

6. USB socket

This allows for the connection of a USB memory stick or the connection of a USB keyboard. *Please see relevant note at the end of this section.*

7. Full colour graphical user interface display

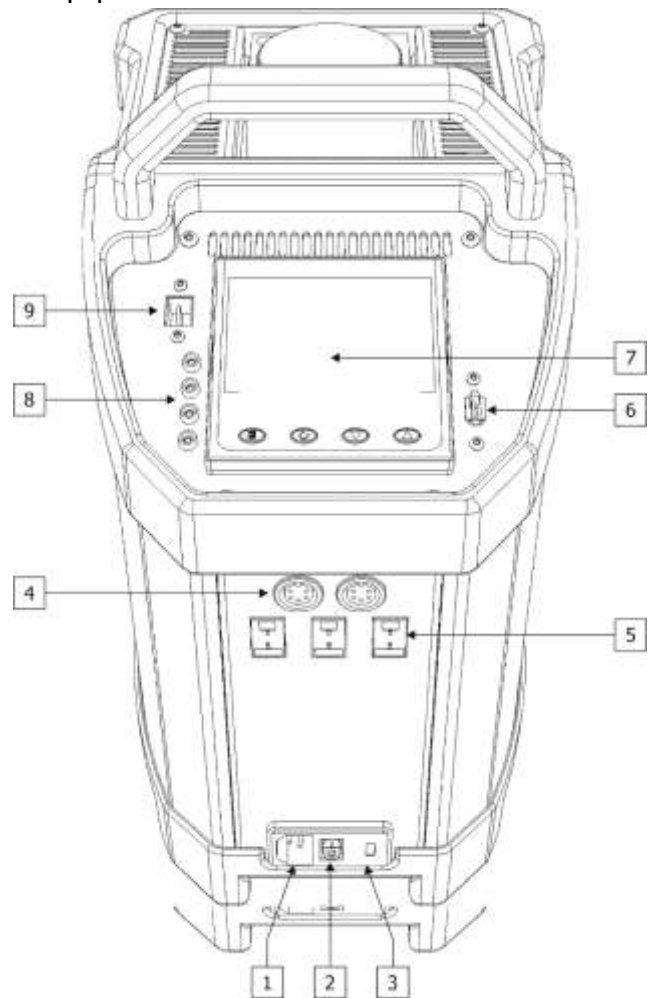
¼ VGA crystal clear, IP66 wash-down display

8. Thermostatic testing input sockets channels 1 and 2

Allows for two thermostats to be connected simultaneously to verify opening or closing temperatures.

9. Ethernet (RJ45) socket

This allows for the connection of the equipment to either a PC for direct connection or to a network to allow network access.



Note: Precautions against electrostatic discharge should be taken when the instrument terminals are being accessed. The USB and Ethernet connections are particularly vulnerable.

When using a USB extension cable, a high quality screened cable must be used. The total length of USB cable between the device and the USB port must not exceed 3 metres (10 ft.)

11.2 The USER INTERFACE Start Up Screen And Controls

Figure 2

1. **ISOTECH** splashscreen
2. **PAGE** button
3. **SCROLL** button
4. **DOWN** button
5. **UP** button



11.3 The ISOTECH Homepage

Figure 3

1. Channel 1 display value
2. Channel 2 display value
3. RECORD icon
4. Product identifier
5. Block temperature (Process Variable)
6. Set temperature (Working Set Point)
7. Channel 3 display value
8. Setpoint adjust



11.4 The THERMOSTAT TESTING Page

Figure 4

1. THERMOSTAT 1 freeze temperature
2. THERMOSTAT 1 freeze temperature
3. SENSE value 1 (Normally Open/Closed)
4. SENSE value 2 (Normally Open/Closed)
5. REFERENCE channel temperature display



11.5 The PROGRAM Page (No Active Program)

Figure 5

1. Current program NAME/STATUS
2. MODE display
3. Program Edit beacon
4. Block temperature (Process Variable)
5. Program Setpoint
6. Program STATUS



11.6 The PROGRAM Page (Active Program Running)

Figure 6

1. Program status (running)
2. Segment type
3. Program progress
4. Segment time remaining
5. Program time remaining
6. Segment progress



11.7 The USER ACCESS Page

Figure 7

1. Channel 1 input type – read only
2. Channel 2 input type – read only
3. Channel 3 input type – read only
4. Channel 1 minus Channel 2 – read only
5. Channel 1 minus Channel 3 – read only
6. IP Type (fixed or dynamic (DHCP)) – read only
7. Setpoint Trim enable/disable – writeable
8. Autotune - writeable



12 Getting Started

To operate this equipment, place on a suitable surface and visually inspect for any damage, since either last use, or from transit. Assuming all is well, place the supplied insert or liquid container in the well at the rear of the equipment.

Using the supplied mains lead, insert into the **Main supply voltage connection socket** (figure 1, item 1). Ensure the voltage supply and rating of the equipment comply and plug the lead into the supply.

Press the **Power On/Off switch** (figure 1, item 2) to power up the equipment. The display will now illuminate and display the ISOTECH splashscreen (figure 2). The white progress bar at the bottom of the screen will scroll across the screen showing progress. Normally in the region of 45 seconds.

When the screen has booted up, the home page will be as figure 3. The equipment will now heat or cool to the last set point indicated as figure 3, item 7.

To assist in getting started there are some tutorial videos online at <http://www.isotech.co.uk/advanced>



12.1 Changing The Set Point

To change the setpoint of the equipment on the ADVANCED unit:

1. From the ISOTECH homepage, press the SCROLL button once, this will highlight the SETPOINT ADJUST box.
2. Press the SCROLL button once more and this will allow adjustment of the setpoint via the UP/DOWN buttons.
3. Scroll to the desired set point as described above.
4. When the temperature is set, press the SCROLL button again to enter and save the setting.
5. The equipment will now raise or lower the block temperature as required.

13 Using The ADVANCED Features Of This Equipment

The User interface allows for the alteration of certain aspects of the control and indication system. Examples would be the ability to change the sensor type on any of the Input channels or to change the resolution of the Channel temperature. This configuration can be set from a PC using the Isotech Config Utility – see "Connecting to a PC" or from the front panel.

13.1 To Set From The Front Panel

To do this, the user will need to log in to different levels of access using the controller menu system.

There are three levels of access:

1. Operator Access
2. Supervisor Access
3. Engineer Access

Typical levels of adjustment are outlined below for each level.

Operator Access

- Scroll the home pages to allow readable access to controller function
- Change the set point of the bath
- Change the Sense status of the Freeze display
- Enable the Autotune
- Enable the set point trim function

Supervisor Access (in addition to the above functions)

- Program selection for the program function
- Thermometer calibration data entry for Channels 1, 2 and 3

Engineer Access

- Change sensor type for channels 1, 2 and 3
- Change resolution for channels 1, 2 and 3
- Change language selection
- Change °C to °F or K

13.2 How To Log In As The SUPERVISOR



Figure 8



Figure 9

1. Press the Page button to display the Home menu (figure 8)
2. Scroll to LOG IN
3. Press the SCROLL button
4. Press up to scroll to SUPERVISOR in dialogue box
5. Press the SCROLL button to prompt for a passcode
6. Select code **15** from the soft keyboard
7. Press PAGE button to prompt to accept the changes
8. Select Yes and enter with SCROLL button to display the SUPERVISOR screen (figure 9)
9. When logged in as the SUPERVISOR the equipment will control in the normal way

13.3 How To Log In As The ENGINEER



Figure 10



Figure 11

1. Press the Page button to display the Home menu (figure 10)
2. Scroll to LOG IN
3. Press the SCROLL button
4. Press up to scroll to ENGINEER in dialogue box
5. Press the SCROLL button to prompt for a passcode
6. Select code 17 from the soft keyboard
7. Press PAGE button to prompt to accept the changes
8. Select Yes and enter with SCROLL button to display the ENGINEER screen (figure 11)
9. When logged in as the ENGINEER, the equipment will **not** control the temperature of the heat source

13.4 How To Change Input Sensor On Channels 1, 2 And 3

Input sensors can be user defined using the menu system to change to PT100, a range of thermocouple types, Ohms or Voltage. To change sensor type follow the procedure below:

1. Log in as the ENGINEER
2. Scroll to CHANNEL
3. Select the desired channel for alteration
4. Press the SCROLL button to enter
5. Scroll to MAIN
6. The MAIN Sub Menu will now be displayed

To configure for a PT100:

1. Scroll to TYPE and press SCROLL to enter
2. Press UP to scroll to RTD, press the SCROLL button to enter
3. Scroll to RESOLUTION and press SCROLL to enter
4. Press up to select the Resolution required, press SCROLL to enter
5. Scroll to LIN TYPE and press SCROLL to enter
6. Select PT100 from the list and press SCROLL to enter
7. Ensure RANGE HIGH is set to 800
8. Press the PAGE button until the ENGINEER screen is displayed, scroll to LOG OUT and enter with the SCROLL button

To configure for a Thermocouple:

1. Scroll to TYPE and press SCROLL to enter
2. Press UP to scroll to THERMOCOUPLE, press the SCROLL button to enter
3. Scroll to RESOLUTION and press SCROLL to enter
4. Press up to select the Resolution required, press SCROLL to enter
5. Scroll to LIN TYPE and press SCROLL to enter
6. Select required thermocouple type from the list and press SCROLL to enter
7. Ensure RANGE HIGH is set to 1200
8. Press the PAGE button until the ENGINEER screen is displayed, scroll to LOG OUT and enter with the SCROLL button

Important Note: The COLD JUNCTION on Channels 1, 2 and 3 should ALWAYS be set to CJTypeRemCh3. This value should not ever be changed. Doing so will disable the cold junction compensation for Channels 1, 2 and 3.

Channel 3 input type should ALWAYS be set to TC+RTD, the thermocouple type can be selected from lower down in the menu.

13.5 How to globally change from °C to °F or Kelvin (*firmware version A5.40 before November 2016*)

1. Log in as the ENGINEER above
2. Select the Channel required for adjustment
3. Select Main from the channel options
4. Scroll down to RANGE UNITS
5. Enter using SCROLL button and select required units
6. Enter value using SCROLL button
7. Press the PAGE button until the ENGINEER screen is displayed, scroll to LOG OUT and enter with the SCROLL button

Note: Channel 4 is reserved for the control sensor and as such is disabled from user access.

13.6 How to globally change from °C to °F or Kelvin (*firmware version A5.43 after November 2016*)

1. Log in as the ENGINEER
2. Scroll to INSTRUMENT
3. Scroll to DISPLAY
4. Scroll to UNITS
5. Select by pressing the SCROLL button
6. Use up/down to select from °C, °F or Kelvin
7. Press the PAGE button to exit and save the selection

Note: Channel 4 is reserved for the control sensor and as such is disabled from user access.

13.7 Thermostat testing using the ADVANCED unit

The ADVANCED equipment has the facility to test thermostats or thermal switches using the page featured in figure 4. Up to two thermostats can be tested at the same time.

The system uses Channel 1 as a reference channel to record the temperature of the thermostat opening or closing. To use this feature, there must be a thermometer connected to Channel 1.

The sense of the thermostat can be changed by the user and each thermostat is referred to as "FREEZE 1" and "FREEZE 2". The options are Normally open (N/O) or Normally closed (N/C).

The thermostat is connected via the 2mm input sockets on the controller plate (item 9, figure 1).

You are not required to log in to access this feature.

How to change the SENSE value on the FREEZE display:

1. Scroll to the FREEZE display page
2. Highlight SENSE 1 by pressing the SCROLL button
3. Press the SCROLL button again to access the value and adjust using the up/down buttons
4. Enter the value by pressing the SCROLL button again
5. To adjust SENSE 2, scroll the it at point 2 and adjust as above

Note: if there is no sensor connected to Channel 1 the FREEZE display will return an "ERROR" message.

13.8 Enabling The AUTOTUNE Feature

Note: This feature is available on all ADVANCED equipment except PEGASUS.

The ADVANCED equipment has the ability to AUTOTUNE the control parameters to hone the temperature stability at a specific block temperature. When enabled it will allow the controller to cycle the temperature of the block and calculate the best values for this temperature. After two cycles it will install the calculated values and use these for the control loop.

You are not required to log in to access this feature.

To enable the AUTOTUNE feature:

1. Scroll to the USER ACCESS page
2. Press the Scroll button and then select the AUTOTUNE feature using the down button
3. Press the Scroll button again to highlight the feature
4. Use the up/down button to select ON
5. Press the Scroll button again to enter the value.
6. The controller will now begin the tuning process

During the tuning process, AT can now be seen to the left of the clock on the ISOTECH homepage (figure 3).

To disable the tuning feature during a tune, repeat the process above and select OFF. This will now disable the tune and install the previous values.

13.9 Using the SETPOINT TRIM feature for Offset Elimination

This ADVANCED equipment has the facility to adjust the heat source temperature to a value determined by **Channel1** temperature sensor (only Channel 1 will function with this feature). This allows the user to more accurately bring the block temperature closer to the reference temperature without making any manual adjustments. This value will automatically adjust every 30 minutes and will not adjust to any value outside of $\pm 5^{\circ}\text{C}$ of the control sensor value. This will prevent overheating in the event of a sensor failure or the sensor being accidentally removed from the heat source. In this event the equipment will disable the feature and control in normal mode.

You are not required to log in to access this feature.

To enable the SETPOINT TRIM feature:

1. Ensure a reference sensor is connected to channel 1 and fully immersed into the heat source
2. Scroll to the USER ACCESS page and scroll down to the SETPOINT TRIM box
3. Press the Scroll button to highlight the feature
4. Press the up/down button to change the value to **INPUT 2**
5. Enter this with the Scroll button
6. Exit by pressing the PAGE button and scroll to the homepage

The display may change by the difference between the reference temperature and the control sensor value. This is normal and should not be adjusted.

To exit SETPOINT TRIM mode repeat the process above and enter INPUT 1 and the controller will now function in normal mode.

13.10 How to change the Date and Time or the Language of the ADVANCED equipment

The Date and time of the ADVANCED equipment can be changed to suit local time. This can also incorporate the any daylight saving time in the time zone of your country or region. The display language of some of the display screens can also be change to suit the local language.

The options for this are:

- English
- French
- German
- Italian
- Spanish

Note: Only the Supervisor and Engineer menus will read in the alternative language. The Isotech Home screen will still read in English when this feature is used.

To change the DATE and TIME or LANGUAGE:

- To access these features you will need to log in as the Engineer.
- When logged in, scroll to the INSTRUMENT tab on the Engineer homepage
- Press the SCROLL button to enter
- Scroll to CLOCK and enter by pressing SCROLL button
- Alternatively scroll to LOCALE and enter by pressing SCROLL button
- Adjust as necessary and exit engineer mode

13.11 Thermometer Input Channels

The ADVANCED equipment has three temperature sensor input channels that can be used for either a Platinum Resistance Thermometer or a Thermocouple. Channels 1 and 2 can accept either of these sensors or Channel 3 can accept a Thermocouple.

The thermocouple input connectors used on all three channels have internal cold junction compensation. This means that the thermocouple can plug directly into the Copper connector and the controller will automatically compensate for the cold junction of the thermocouple. Ensure the thermocouple has no additional cold junction as this will introduce errors.

Each of these channels can accept up to eight correction points to improve the linearity of the thermometer accuracy to the Controller display. These are user defined and are unique to only one thermometer.

When using the calibration feature, the points must be used in ascending order, that is to say, the lowest point (Point 1) must be used at the lowest temperature. Each point for the calibration is based on two values: the temperature at which the value is applied (the point) and the value to adjust the temperature by (the offset). The factory default setting for each unused channel is **Point -200** and Offset **0.00**. This means that if the calibration is enabled then the controller will ignore these values until they are populated with real values.

The feature functions in the same way irrespective of sensor type.

The calibration (CAL STATUS) has several settings listed below:

POINTS 1-8: The specific values that are entered to calibrate the thermometer to the controller

ON: Enables the calibration and allows the adjustment of the populated points to function

OFF: Disables the calibration and the channel runs unadjusted

RESET: Erases all existing data for all points (Care must be taken with this as this is not reversible)

13.12 Process to apply a User Calibration to the controller using a PRT connected to Channel 1

1. Connect the thermometer to Channel 1 and ensure the channel is correctly configured using the processes above
2. Ensure the thermometer is correctly inserted to heat source of the ADVANCED equipment
3. Ensure the Calibrated Reference thermometer is placed in the same heat source
4. Allow the system the thermally stabilise
5. Press the PAGE button to enter the SUPERVISOR menu
6. Scroll to the CHANNELS tab and enter with the SCROLL button
7. Select 1 from the list and enter with the SCROLL button
8. Scroll to the ISOTECH tab and enter with the SCROLL button
9. Scroll to CAL STATUS and enter with the SCROLL button
10. Scroll to POINT 1 and enter

The controller is now ready to accept a value. Ensure the equipment is thermally stable, you will now need to use the temperature value displayed by the Calibrated reference thermometer.

11. Record the value on the Calibrated thermometer and scroll to DISPLAY VALUE tab and press enter
12. This will bring up a soft keyboard, use this keyboard to enter the exact temperature displayed by the calibrated standard
13. Press the PAGE button to enter the value, the controller will ask you to confirm the settings. Select YES and enter the value
14. The controller will now accept the value and move to POINT 2 on the display
15. Exit back to the homepage and check the value on the CHANNEL 1 display window
16. When confirmed, move to the next temperature and repeat the process for point 2 and so on

This process is the same for all three channels.

13.13 The NETWORK INTERFACE

Access to the NETWORK interface is available when logged in as the ENGINEER. This will allow adjustment to various network parameters, should they need to be adjusted.

This menu allows writeable access to:

- IP type (FIXED or DYNAMIC (DHCP))
- IP address
- Subnet Mask
- Gateway

and Read only access to:

- MAC address
- Client identifier

13.14 To access the NETWORK INTERFACE

1. Log in as the ENGINEER
2. From the ENGINEER page scroll to NETWORK tab and enter with the SCROLL button
3. Scroll to INTERFACE and enter with the scroll button
4. Scroll to and adjust desired parameter using the pop out soft keyboard

Note: Do not use network cable in excess of 10 metre length.

Use this section in conjunction with **CONNECTING TO A PC**. This provides details of the available software and download details.

13.15 The WEB BROWSER

The ADVANCED equipment has a built in WEB BROWSER that enables access to the equipment either via a local network or over the Internet.



The browser homepage

To open the browser simply open the supported browser (below) and in the address bar type the IP address (see NETWORK INTERFACE) in the format `http://XXX.XXX.XXX.XXX`

13.15.1 Supported Browsers:

- Google Chrome V22.0 or greater
- Google Mobile Chrome (Android Mobile technology running 'Ice cream sandwich' or greater)
- Internet Explorer V9.0 or greater
- Mobile Safari (Apple Mobile technology running IOS 5.0 or greater)

All files are uploaded from the ADVANCED device to the browser, where all JS and JQuery files are executed locally.

Browsers should be configured to allow cookies, and support for file caching should also be enabled. If cookies are not enabled this will have the following detrimental effects:

- Any web page configuration changes 'saved' by the user in the client browser will not be retained when navigating between web pages
- For the most efficient browsing make sure that caching is enabled in the browser being used.
- Web server supports standard ASCII character set. Any non-displayable characters will, therefore, be replaced by an asterisk '*'.

13.15.2 The clickable links will allow you to:

- View any active channels via the TRENDING link (including the control sensor)
- View any messages or alarm details via the SUMMARY link
- View individual channels via the settings button in the TRENDING link

Note: The browser is not available when the equipment is in ENGINEERING mode (logged in as the engineer).

13.16 Data Logging

The ADVANCED equipment will always record data for all four channels UNLESS the equipment is in ENGINEERING mode. This is indicated by the green **R** in the bottom left had side of the ISOTECH homepage (figure 3).

The data can either be extracted via the USB socket on the front panel or to a PC by means of the FTP protocol (Remote Archiving) using REVIEW software.

To back up the data via USB stick on the control panel use the following procedure:

1. Log in as the SUPERVISOR
2. Plug a suitable USB memory stick (**8GB maximum**) to the socket on the control panel (figure 1, item 6)
3. Ensure the controller has accepted the memory stick by the icon in the lower left of the ISOTECH homepage (figure 3)
4. Press the page button to scroll to the SUPERVISOR menu
5. Scroll to DEMAND ARCHIVING
6. Scroll to ARCHIVE TO and enter, select USB from the options and enter
7. Scroll to ARCHIVE and select from:
 - a. Bring to date
 - b. All
 - c. Last month

- d. Last week
 - e. Last day
 - f. Last hour
 - g. None
8. When the selection is entered by pressing the SCROLL button, the transfer will begin (this may take several minutes depending on the selection made)
 9. When the transfer is complete, remove the USB stick and exit SUPERVISOR mode

The data will be stored in a folder called HISTORY.

13.17 FTP Server Archiving

This allows the archiving of recorder files to a remote computer via the RJ45 type connector at the rear of the recorder, either directly or via a network.

In order to carry out a successful transfer:

1. Details of the remote host must be entered in the **Network Archive** area of configuration
2. The remote computer must be set up as an FTP server. Help from the user's IT department may be necessary in order to achieve this.
3. The remote computer must also be set up to respond to 'pings'. This is because the instrument pings the host whilst establishing connection, if it does not receive a response the archive attempt fails.
4. When accessing files using Microsoft® Internet Explorer, the address (URL) field can be in one of two for-mats:
5. ftp://<instrument IP address>. This allows a user to log in as the anonymous user (if the recorder has any account with the user name set to 'anonymous' with a blank password.
6. ftp://<user name>:<password>@<instrument IP address> to log in as a specific user.

For IE5 users, Microsoft® Internet Explorer displays, by default, history files only. To quit the history folder, either uncheck the Tools/Internet Options/Advanced/Browsing/'Enable folder view for FTP sites' option, or check the Tools/Internet Options/Advanced/Browsing/'Use Web based FTP' option.

13.18 Programmer Function

The ADVANCED equipment has an on-board PROGRAMMER function built in. The PROGRAMMER runs in SEGMENTS and can store up to 100 programs, each containing 25 segments.

This feature is particularly useful for an automated calibration run, the test data can then be extracted and converted to a spreadsheet using the REVIEW software available.

The programs can either be created using the available software, or using the control interface on the ADVANCED equipment.

The software can be downloaded at www.isotech.co.uk/download. Once created, a program can be sent directly to the instrument via the network connection or saved to a USB memory stick and imported from there via the USB socket on the controller panel (Fig1, item6).

Instructions and details of installation are supplied with the download.

Note: Channel 2 is disabled on this instrument. Details in the following text appear for information only.

To create, install and run a PROGRAM via the controller interface please follow the instructions below:

See below for a more detailed description of each of the PROGRAM functions.

13.19 Program Details

13.19.1 Operation

This allows the user to select one of the following:

Load. Opens the program store and allows the user to select a program to be loaded.

Store. Allows the current program to be saved to the internal program drive. This is useful if you wish to snapshot the current program and store this under a different program name.

Delete. Allows the selected program to be deleted.

Delete All. Deletes all programs.

Copy. Copies the selected program for 'pasting' either from the internal drive to the USB device, or vice-versa. This is useful if you wish to transfer a program to other ADVANCED instruments.

Copy All. As above, for 'Copy', but copies all the programs in the selected directory.

Note: If a 'Store', 'Copy' or 'Copy All' operation would result in there being a total of more than 100 program files in the internal drive, the operation fails and an error message is displayed.

13.19.2 Status

Success: Previous operation was successful.

Failed: Previous operation failed.

Loading: The program is loading.

Copying: The program copy process is underway.

Deleting: The relevant program is being deleted.

13.19.3 Program

The name of the program currently loaded.

13.19.4 Holdback Style

Appears only if 'Holdback' is enabled. See 'Holdback', below.

13.19.5 Program

Holdback applies to all appropriate segments.

Per Segment: Holdback enabled on a segment by segment basis as described in 'Segment configuration below.

13.19.6 Ch1 Holdback

Appears only if 'Holdback Style' (above) is set to 'Program'.

Off: Holdback is disabled

Low: Holdback is entered when $PV < (PSP - \text{Holdback Value})$

High: Holdback is entered when $PV > (PSP + \text{Holdback Value})$

Band: Holdback is entered when $PV < (PSP - \text{Holdback Value})$ or $PV > (PSP + \text{Holdback Value})$

13.19.7 Ch1 Holdback value

The value to be used in triggering holdback.

13.19.8 Ch2 Holdback

As for Ch1 Holdback, above but for channel 2.

13.19.9 Ch2 Holdback value

As for 'Ch1 Holdback value', above, but for channel 2.

13.19.10 Ramp Style

Ramp style applies to all ramp segments in the program. Ramp Style can be edited only when the program is in Reset mode. Setpoints, rates, times etc. are set in the individual segment configurations

Rate. A Ramp Rate segment is specified by a target set-point and the rate at which to ascend/descend to that set-point.

13.19.11 Time

A Ramp Time segment is specified by a target set-point and a time in which to achieve that set-point.

13.19.12 Ch1 Ramp Units

Select 'Per Second', 'Per Minute' or 'Per Hour' for ramp timing units. Ramp Units can be edited only when the program is in Reset mode.

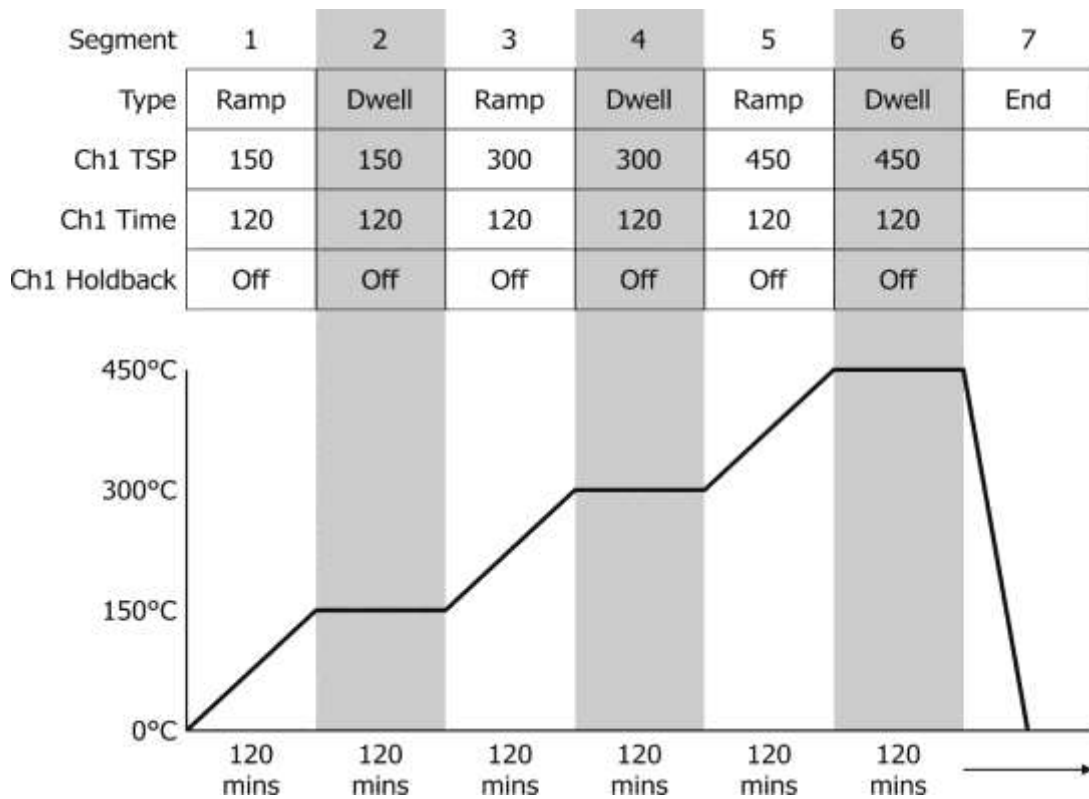
13.19.13 Ch2 Ramp Units

As for 'Ch1 Ramp Units' above.

13.20 How to create a simple PROGRAM using the controller interface

Below shows a basic PROGRAM that demonstrates the ADVANCED instrument ability to create a program.

Figure 12



This PROGRAM has 7 segments and these segments are saved as TEST_1 in the memory of the ADVANCED equipment.

It shows the ADVANCED instrument starting with a setpoint of 0.00°C

- It is then set to RAMP to 150°C over a period of 120 minutes
- It is then set to DWELL at this temperature for a period of 120 minutes
- It is then set to RAMP to 300°C over a period of 120 minutes
- It is then set to DWELL at this temperature for a period of 120 minutes
- It is then set to RAMP to 450°C over a period of 120 minutes
- It is then set to DWELL at this temperature for a period of 120 minutes
- It is then set to END and RESET to 0.00°C

13.21 To enable/RUN this PROGRAM

1. Log in as the SUPERVISOR and exit menu
2. Scroll to the PROGRAM page (figure 5)
3. Press the SCROLL button to highlight the RESET box
4. Press the UP button to highlight the PAGE icon in the top right hand side of the screen
5. Enter this with the SCROLL button
6. This will access the PROGRAM EDIT menu page
7. Scroll to OPERATION and select LOAD, enter with the SCROLL button
8. Scroll to TEST_1 and enter with the SCROLL button
9. The STATUS will display SUCCESS and the CURRENT PROGRAM will display TEST_1
10. TEST_1 is now the default program
11. To RUN the program TEST_1 exit the PROGRAM EDIT page using the PAGE button until you see the PROGRAM homepage
12. Press SCROLL once to highlight the RESET box
13. Scroll to TEST_1 and press the SCROLL button to initiate the program

The page will now change to show the current program running, as Fig6 above.

13.22 To edit an existing PROGRAM

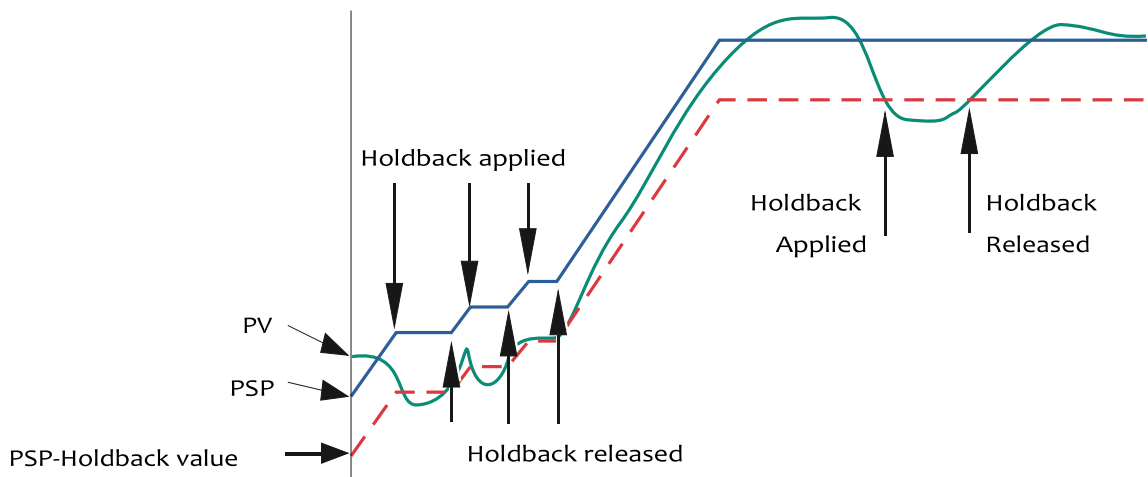
1. Follow the above procedure to point 10
2. Scroll down to SEGMENT NUMBER and select the SEGMENT you wish to edit using the SCROLL and UP/DOWN buttons
3. Edit the required parameter (RAMP, DWELL, TIME DURATION etc) using the scroll and UP/DOWN buttons and enter the value
4. When the editing is complete, it can either be left as the existing PROGRAM or saved under an alternative file name in the internal memory
5. To leave the alterations under the existing filename simply exit out of the menu and RUN the program as normal
6. To save as an alternative filename in the memory, SCROLL back up to OPERATION and enter using the SCROLL button
7. Scroll to STORE and enter
8. The soft keyboard will open allowing you to save the file as a filename of your choice
9. When the name is selected, press the PAGE button to save the changes
10. Both the original file and the modified file will now exist in the memory

13.23 Using the HOLDBACK feature

The PROGRAMMER has a HOLDBACK feature available.

Holdback pauses the program (freezes the Programmer setpoint (PSP) and the time remaining parameters) if the difference between the Process value (PV) and the PSP exceeds a user-specified amount (Holdback value). The program remains paused until the PV returns to within the specified deviation.

In ramp or step segments, holdback indicates that the PV is lagging the SP by more than the specified amount and that the program is waiting for the process to catch up. In a dwell segment, holdback is used to guarantee that a work piece stays at set-point within a specified tolerance for the specified dwell duration.



This is particularly useful when running a calibration program as it will allow the heat source to eliminate any "lag" between the controller and the heat source itself.

Holdback can be configured to hold either the segment or the complete program.

The USER defined value is used to define the actual value applied to it.

This can either be:

LOW, where the heat source temperature is below the Setpoint. The programmer will hold the value until the heat source has "caught-up" in temperature.

HIGH, where the heat source temperature is above the Setpoint. The programmer will hold the value until the heat source has "caught-up" in temperature.

BAND, where the heat source is outside a band of temperature around the setpoint

To enable this feature


1. Go to EDIT AN EXISTING PROGRAM and enter the menu
2. Scroll to HOLDBACK STYLE and enter using the SCROLL button
3. Select desired parameter and enter using the SCROLL button
4. Scroll to CH1 HOLDBACK and enter the desired parameter and enter with the SCROLL button
5. Scroll to CH1 HOLDBACK VAL and select the desired temperature, enter using the SCROLL button

14 Connecting Temperature Sensors

14.1 Platinum Resistance Thermometers, PRTs

Set the input type to suit from either the front panel of the Isotech Config Software utility.

PRTs can be connected to Inputs P1 and P2. When connecting a PRT ensure the corresponding thermocouple input is not used, that is if connecting a PRT to Input P1 then Input T1 must not be used, is if connecting a PRT to Input P2 then Input T2 must not be used.

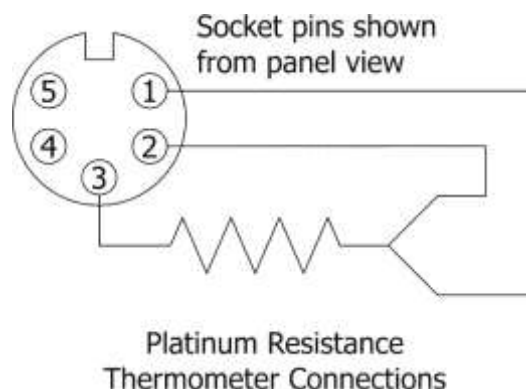
 When using a Platinum Resistance Thermometer (PRT) please handle carefully. The internal components are fragile. Lower the sensor into the pocket - do not drop it into the hole.

It is good practice to allow PRT's to cool slowly to a temperature less than 450°C before withdrawing the probe.

14.2 Input Connections

The five pin cable plug to suit PRTs is part number 935-16-107. These are readily available, suppliers include RS Components (Part Number 129-8573) and Farnell (Part Number 112-2585).

With three wire PRT connections ensure identical lead resistance in all three legs of the connection by using the same length and gauge of cables.



14.3 Connecting Thermocouples

Set the input type to suit from either the front panel of the Isotech Config Software utility.

Thermocouples can be connected to Inputs T1, T2 and T3. When connecting a thermocouple ensure the corresponding PRT input is not used, that is if connecting a thermocouple to Input T1 then Input P1 must not be used, is if connecting a thermocouple to Input T2 then Input P2 must not be used.

Input connectors are the industry standard "miniature thermocouple plugs".

14.4 Connecting 4 – 20mA Current Transmitters

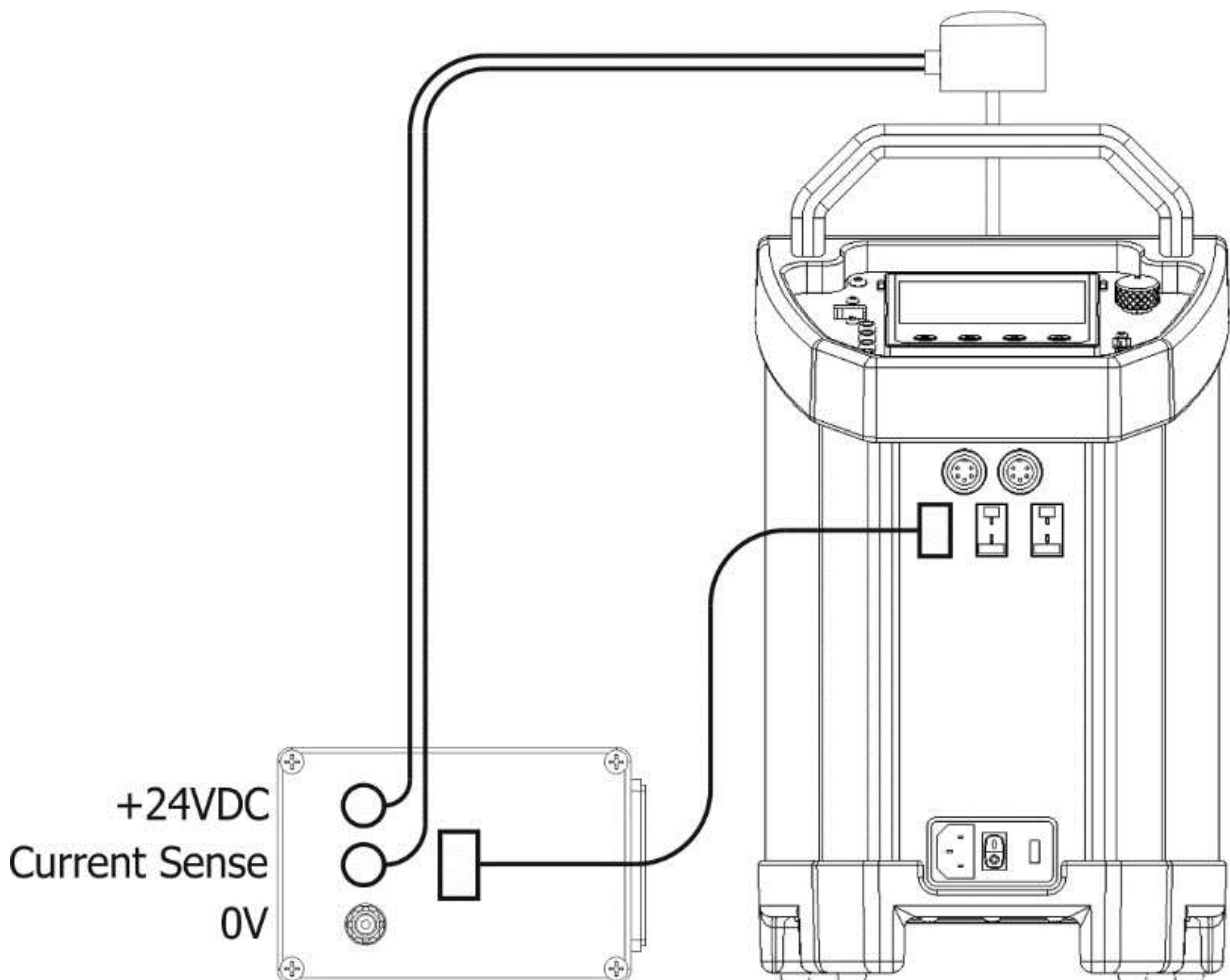
14.4.1 Using the Current Loop Interface (935-06-161)

This accessory makes it simple to connect and power 4-20mA Transmitters. It includes a 24V DC Power Supply and a 2.49Ω shunt resistor, connected between 0V and the central connector.

Set the input type to suit from either the front panel of the Isotech Config Software utility.

Connect the current loop interface either Inputs T1 or T2 when connecting ensure the corresponding PRT input is not used, that is if connecting to Input T1 then Input P1 must not be used, is if connecting to Input T2 then Input P2 must not be used.

Connect with the supplied low thermal EMF connecting lead.



14.4.2 Altering Channel 1 setting to read in mA

- Log in as the engineer and access channel 1 settings as detailed in the manual.
- Scroll to MAIN and change the sensor type to mA.
- Scroll to RESOLUTION and alter the resolution to your requirement.
- Log out.

14.4.3 Altering Channel 1 setting to read in °C

The channel can also be configured to read in true temperature as well. Please see below for example settings

A Pt100 is used to measure a temperature range of 0 to 100°C. This thermometer output is transmitted to the channel by a 4 to 20mA transmitter, for display as a value of temperature.

In Channel 1, set the following for the relevant channel:

- Type = mA
- Units = °C
- Input Low = 4.00
- Input High = 20.00
- Shunt = 2.49 ohms (this is a fixed value for the Current Loop Adapter)
- Lin Type = Pt100
- Range Low = 0
- Range High = 100
- Range Units = °C
- Scale Low = 0
- Scale High = 100

Other items may be left at their defaults.

15 Specification

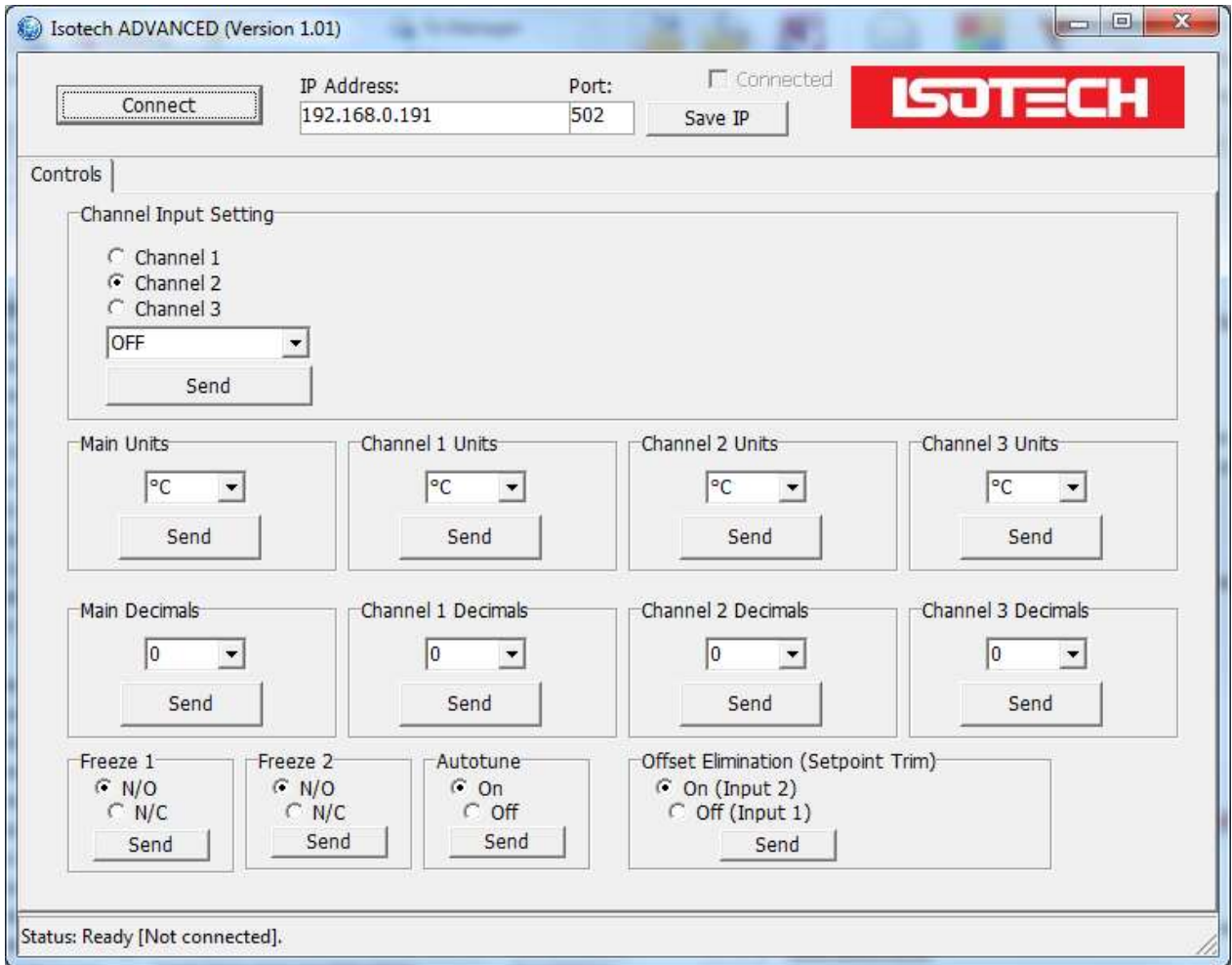
Parameter	Model	
	550	700
<i>Temperature Range</i>	35°C to 550°C	
<i>Absolute Stability over 30 mins</i>	±0.01°C at 100°C	±0.015°C at 300°C
<i>Display Resolution</i>	0.01°C over whole range	
<i>Input Channel Accuracy: Thermocouple</i>	E, J, K, N: ±0.2°C at 660°C, R: ±0.6°C, S: ±0.7°C at 660°C, T: ±0.2°C at 150°C	
<i>CJC Accuracy</i>	±0.35°C	
<i>Input Channel Accuracy: RTD</i>	±0.05°C ±0.005% RDG	
<i>Cools from 550°C to 275°C</i>	35 mins (LRI: 132 mins)	--
<i>Cools from 550°C to 60°C</i>	345 mins (LRI: 420 mins)	--
<i>Heats from 30°C to 550°C</i>	35 mins (LRI: 60 mins)	--
<i>Heats from 50°C to 700°C</i>	--	110 mins (LRI: 120 mins)
<i>Calibration Volume</i>	65mm diameter x 160mm deep	
<i>Indicator Units</i>	°C, °F, K	
<i>PC Interface</i>	Ethernet – supporting software and USB Host	
<i>Voltage</i>	115Vac or 230Vac 50/60Hz	
<i>Power</i>	600 Watts (LRI: 1000 Watts)	
<i>Dimensions</i>	384H (including handle) x 212W x 312D mm	
<i>Weight</i>	8.5kg	14kg

16 Connecting to a PC

There are several software applications that can be used with the ADVANCED models

16.1 Isotech Config Utility

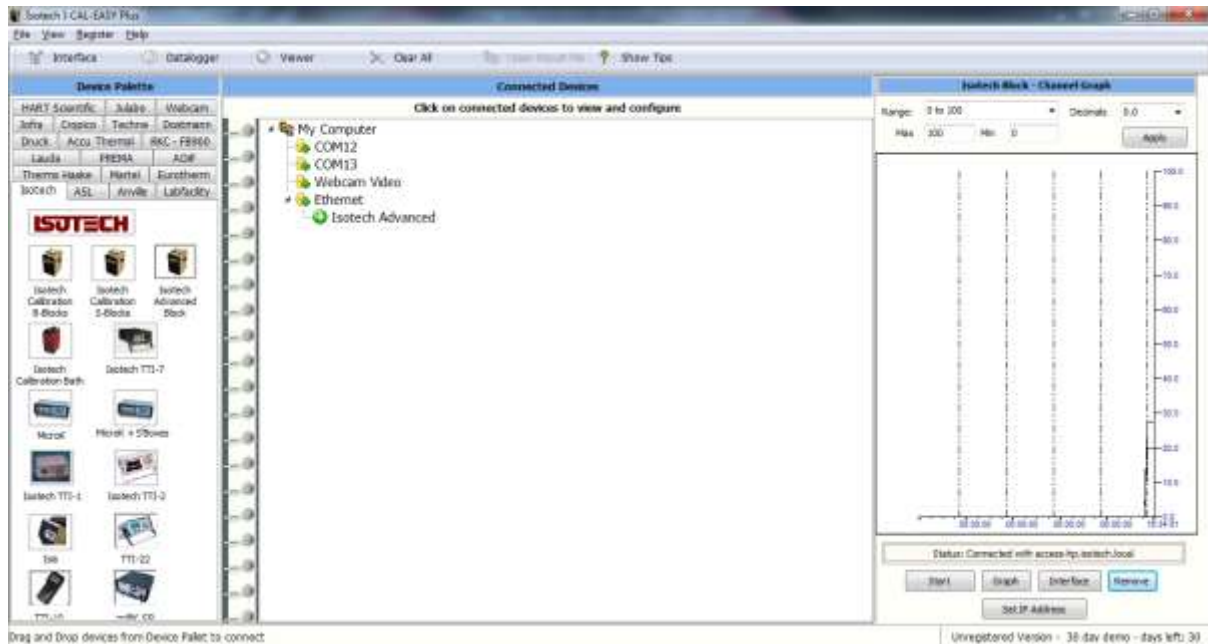
This application makes it easy to adjust and set the various options such as sensor input types, units, resolution etc.



16.2 Isotech I-Cal EASY

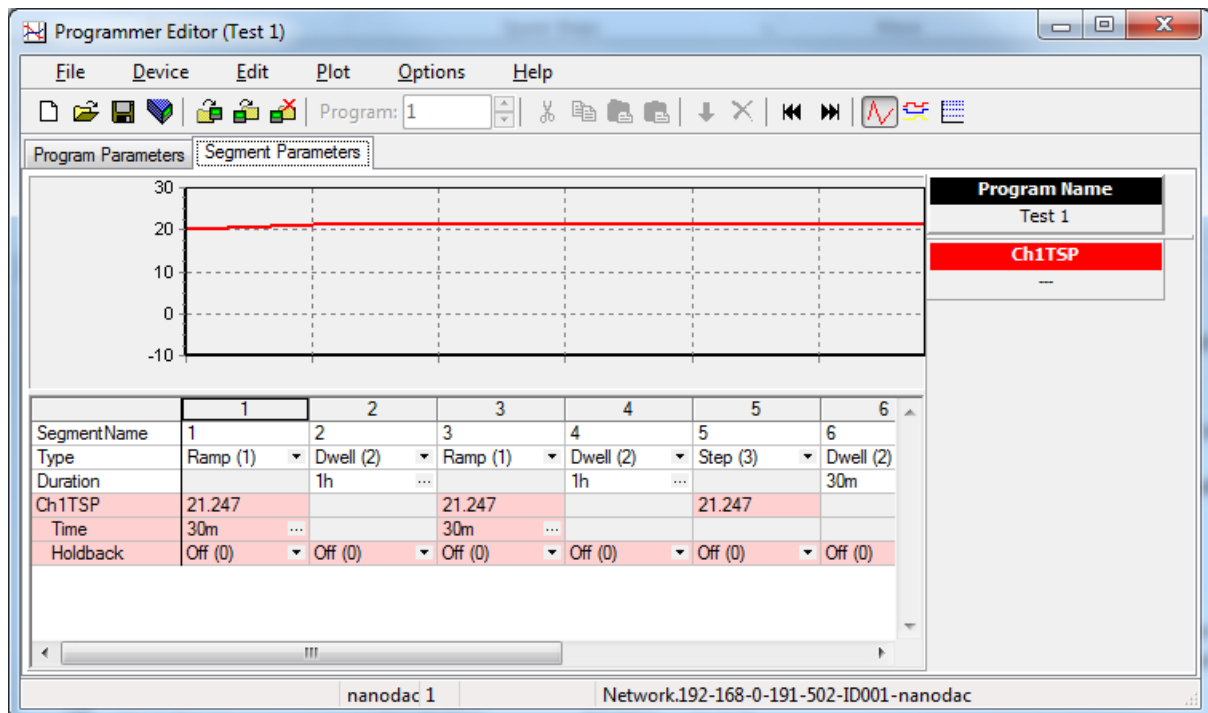
This application allows logging of data from the ADVANCED model. Additionally if a license is purchased it allows for fully automatic calibration including certificate printing and the calculation of coefficients.

Refer to the Isotech I-Cal EASY handbook and help system for more details



16.3 Program Editor

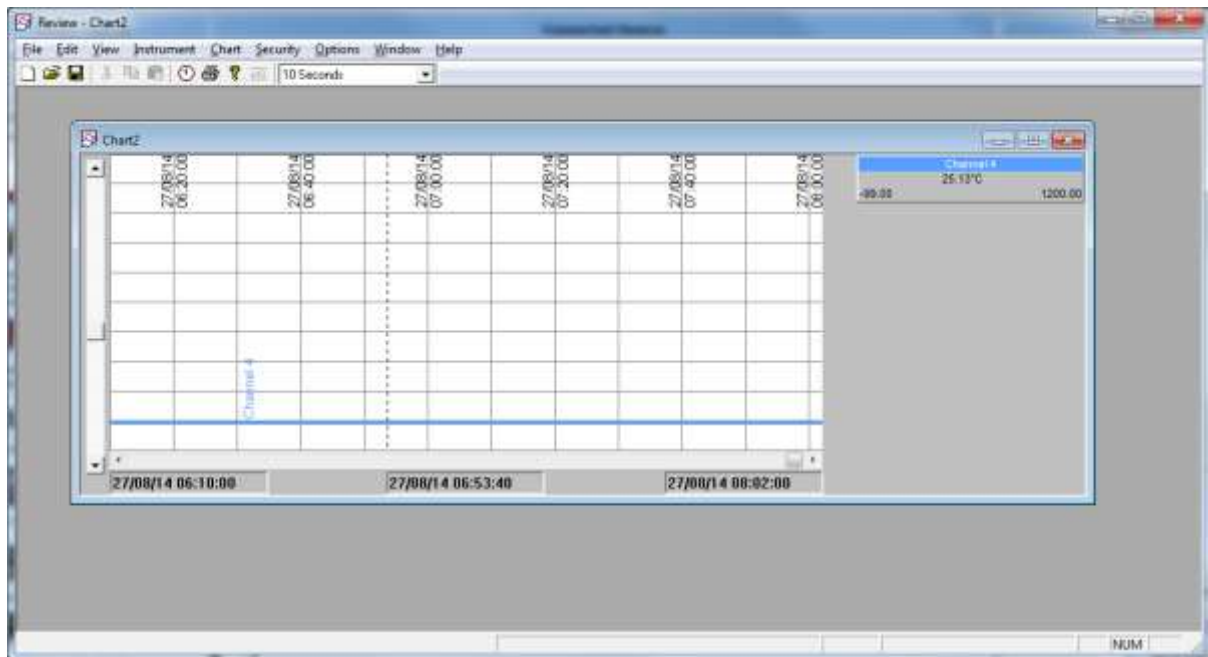
This allows set point programs to be created on a PC and uploaded to the ADVANCED model



Installation instructions are included with the download

16.4 Review

This is a proprietary software package which allows the user to extract 'archive' data from one or more ADVANCED Dry Blocks and to present this data on a host computer, as if on a chart, or as a spreadsheet.



As described in the Review help system, 'Review' allows the user to set up a regular transfer of data (using ftp) from connected instruments into a database on the pc, and then from this database to the chart or spreadsheet. The chart/spreadsheet can be configured to include one or more 'channels' from one or all connected instruments.

It is also possible to archive instrument history files to a memory stick and to use this to transfer the data to the pc.

The user name and password are both 'history' and they are not editable.

These applications can be downloaded from the Isotech website
<http://www.isotech.co.uk/downloads>

Connection to the unit is via the Ethernet interface, configure the IP address to suit your network and then select that IP address in the software. Consult your network manager for assistance if required.

17 Accessories

Gemini 4857/550

Set of Four Aluminium Sleeves – optional single hole per sleeve

Mixed

Specify from 4, 6, 8, 10, 12 or 14 x 150mm deep

One Aluminium Sleeve

857-07-03

2 x 4.5mm x 150mm deep

Set of Four Blank Aluminium Sleeves

857-07-01

Carrying Case

931-22-111

Gemini 4857/700

Set of Four Bronze Sleeves – optional single hole per sleeve

Mixed

Specify from 4, 6, 8, 10, 12 or 14 x 150mm deep

One Bronze Sleeve

857-07-04

2 x 4.5mm x 150mm deep

Set of Four Blank Bronze Sleeves

857-07-02

Carrying Case

931-22-111

Gemini 4857/550 LRI

Additional Standard Removable Insert

976-07-01a

8 x 8mm pockets x 154mm deep

Blank Insert

976-07-01b

Carrying Case

931-22-112

Gemini 4857/700 LRI

Additional Standard Removable Insert

976-07-02a

8 x 8mm pockets x 154mm deep

Blank Insert

976-07-02b

Carrying Case

931-22-112